

TD 484 TR

TD 484 TR-E

TD 534 TR

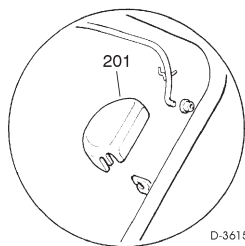
TD 534 TR-E

**CHASSIS
MANICO
COMANDI
DOTAZIONE VITERIE**

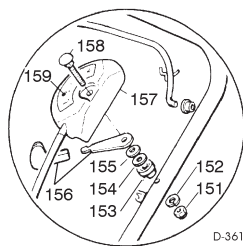
**DECK
HANDLE
CONTROLS
SCREWS OUTFITS**

**CHÂSSIS
MANCHERON
COMMANDES
DOTATION VISSERIE**

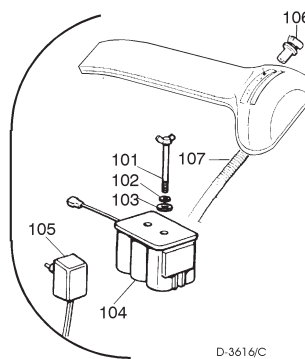
**GEHÄUSE
HOLM
BETÄTIGUNGEN
SCRAUBENSATZ**



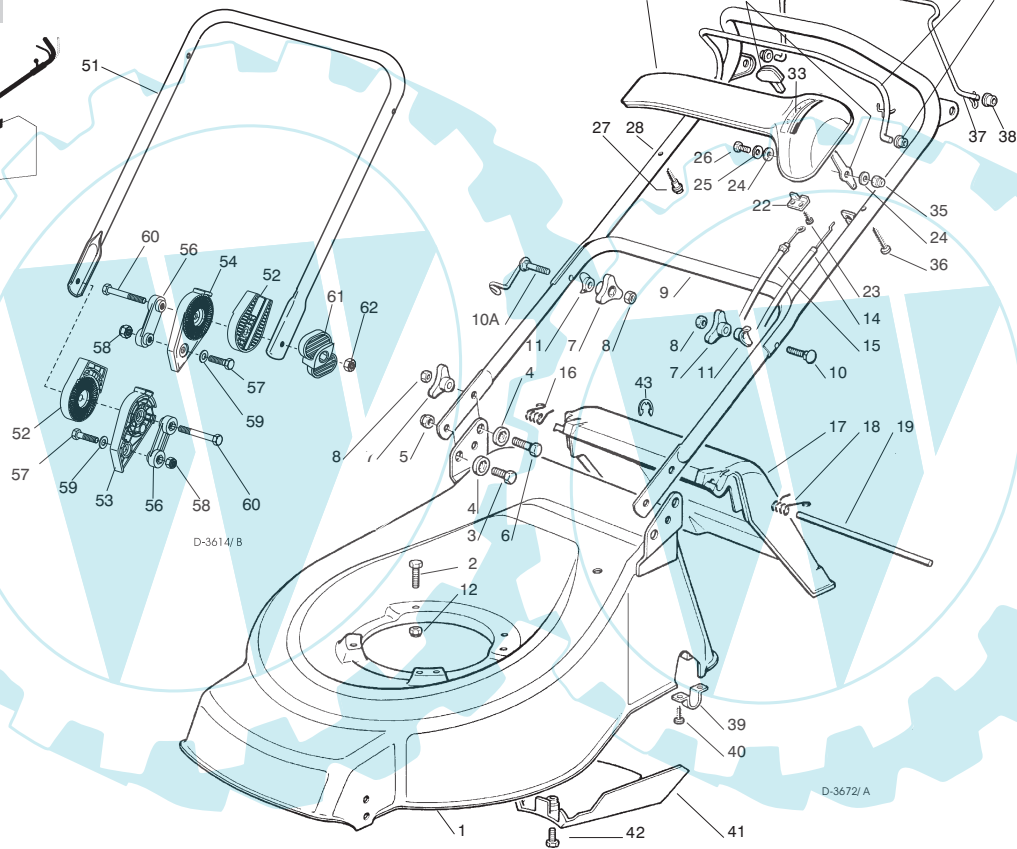
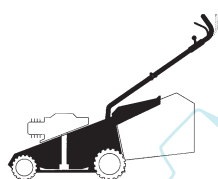
D-3615/E



D-3615/D



D-3616/C



D-3614/B

D-3672/A

SPARE PARTS CATALOGUE

GB

**CATALOGO DELLE PARTI
DI RICAMBIO**

I

ERSATZTEILKATALOG

D

**CATALOGUE DES PIÈCES
DE RECHANGE**

F

Pos. Nr.	Codice Code Kodex	Q.tà Q.ty-Q.tè Menge	Descrizione	Description	Description	Beschreibung
1			CHASSIS	DECK	CHÂSSIS	GEHÄUSE
—	81001642/ 0	1	ROSSO TD 484 TR	RED TD 484 TR	ROUGE TD 484 TR	ROTES TD 484 TR
—	81001643/ 0	1	GIALLO TD 484 TR	YELLOW TD 484 TR	JAUNE TD 484 TR	GELBES TD 484 TR
—	81001644/ 0	1	VERDE TD 484 TR	GREEN TD 484 TR	VERT TD 484 TR	GRÜNES TD 484 TR
—	81001663/ 0	1	ROSSO TD 484 TR-E	RED TD 484 TR-E	ROUGE TD 484 TR-E	ROTES TD 484 TR-E
—	81001664/ 0	1	GIALLO TD 484 TR-E	YELLOW TD 484 TR-E	JAUNE TD 484 TR-E	GELBES TD 484 TR-E
—	81001665/ 0	1	VERDE TD 484 TR-E	GREEN TD 484 TR-E	VERT TD 484 TR-E	GRÜNES TD 484 TR-E
—	81001738/ 0	1	ROSSO TD 534 TR	RED TD 534 TR	ROUGE TD 534 TR	ROTES TD 534 TR
—	81001739/ 0	1	GIALLO TD 534 TR	YELLOW TD 534 TR	JAUNE TD 534 TR	GELBES TD 534 TR
—	81001740/ 0	1	VERDE TD 534 TR	GREEN TD 534 TR	VERT TD 534 TR	GRÜNES TD 534 TR
—	81001741/ 0	1	ROSSO TD 534 TR-E	RED TD 534 TR-E	ROUGE TD 534 TR-E	ROTES TD 534 TR-E
—	81001742/ 0	1	GIALLO TD 534 TR-E	YELLOW TD 534 TR-E	JAUNE TD 534 TR-E	GELBES TD 534 TR-E
—	81001743/ 0	1	VERDE TD 534 TR-E	GREEN TD 534 TR-E	VERT TD 534 TR-E	GRÜNES TD 534 TR-E
2			VITE	SCREW	VIS	SCHRAUBE
—	12793700/ 0	3/ 2	(M8X30)	(M8X30)	(M8X30)	(M8X30)
—	12691800/ 0	0/ 1	(M8X60)	(M8X60)	(M8X60)	(M8X60)
3	12792610/ 0	2	VITE	SCREW	VIS	SCHRAUBE
4	22041955/ 0	4	BUSSOLA	BUSH	DOUILLE	BUCHSE
5	12155000/ 0	2	DADO	NUT	ECROU	MUTTER
6	12793700/ 0	2	VITE	SCREW	VIS	SCHRAUBE
7	22399900/ 0	4	MANOPOLINA	KNOB	POIGNÉE	GRIF
8	12293200/ 0	4	DADO	NUT	ECROU	MUTTER
9	81006512/ 0	1	PARTE INF. MANICO	LOWER HANDLE	PARTIE INF. MANCHERON	UNTERHOLM

Pos. Nr.	Codice Code Kodex	Q.tà Q.ty-Q.tè Menge	Descrizione	Description	Description	Beschreibung
10	12819201/ 0	1	VITE	SCREW	VIS	SCHRAUBE
10A	81003801/ 0	1	MOLLA GUIDA	SPRING	RESSORT	FEDER
11	22680006/ 1	2	RONDELLA	WASHER	RONDELLE	SCHIBE
12	12293201/ 0	3/ 2	DADO	NUT	ECROU	MUTTER
—	12155000/ 0	0/ 1	DADO	NUT	ECROU	MUTTER
14	81007160/ 0	1	CAVO ACCELERATORE	THROTTLE CABLE	CABLE ACCELERATEUR	BESCHLEUNIGER KABEL
15	81000633/ 0	1	CAVO FRENO MOTORE	THREAD MOTOR BRAKE	CABLE FREIN MOTEUR	MOTORBREMSEKABEL
—	81000623/ 1	1	TD 434 (QUANTUM XM)	TD 434 (QUANTUM XM)	TD 434 (QUANTUM XM)	TD 434 (QUANTUM XM)
—	81000631/ 0	1	TD 484 (QUANTUM XM-ES 40)	TD 484 (QUANTUM XM-ES 40)	TD 484 (QUANTUM XM-ES 40)	TD 484 (QUANTUM XM-ES 40)
—	81000625/ 0	1	TD 484 (SPRINT 375/ QUATTRO)	TD 484 (SPRINT 375/ QUATTRO)	TD 484 (SPRINT 375/ QUATTRO)	TD 484 (SPRINT 375/ QUATTRO)
—	81000641/ 0	1	TD 484 (HONDA GCV 135/ 160)	TD 484 (HONDA GCV 135/ 160)	TD 484 (HONDA GCV 135/ 160)	TD 484 (HONDA GCV 135/ 160)
—	81000642/ 0	1	TD 534 (QUANTUM XM-ES 40)	TD 534 (QUANTUM XM-ES 40)	TD 534 (QUANTUM XM-ES 40)	TD 534 (QUANTUM XM-ES 40)
—	81000643/ 0	1	TD 534 (SPRINT 375/ QUATTRO)	TD 534 (SPRINT 375/ QUATTRO)	TD 534 (SPRINT 375/ QUATTRO)	TD 534 (SPRINT 375/ QUATTRO)
—	81000644/ 0	1	TD 534 (TECUMSEH)	TD 534 (TECUMSEH)	TD 534 (TECUMSEH)	TD 534 (TECUMSEH)
—	81000640/ 0	1	TD 534 (HONDA GCV 135/ 160)	TD 534 (HONDA GCV 135/ 160)	TD 534 (HONDA GCV 135/ 160)	TD 534 (HONDA GCV 135/ 160)
16	22450410/ 1	1	MOLLA DX	RIGHT SPRING	RESSORT DROITE	RECHTE FEDER
17	22600028/ 4	1	PARASASSI	STONE-GUARD	PARE-PIERRES	PRALLBLECH
18	22450420/ 1	1	MOLLA SX	LEFT SPRING	RESSORT GAUCHE	LINKE FEDER
19	22517906/ 1	1	PERNO	PIN	PIVOT	BOLZEN
22	22981467/ 0	1	PIASTRINA	PLAQUE	PLAQUETTE	PLATTE
23	12735105/ 0	2	VITE	SCREW	VIS	SCHRAUBE
24	12523040/ 0	2	RONDELLA	WASHER	RONDELLE	SCHIBE
25	12530060/ 0	1	RONDELLA ELASTICA	SPRING WASHER	RONDELLE ELASTIQUE	ELASTISCHE SCHEIBE
26	12791500/ 0	1	VITE	SCREW	VIS	SCHRAUBE
27	22943006/ 0	1	VITE	SCREW	VIS	SCHRAUBE
28	81007024/ 0	1	PARTE SUP. MANICO	UPPER HANDLE	PARTIE SUP. MANCHERON	OBERHOLM
29	81007024/ 0	1	CRUSCOTTO	DASH BOARD	CONSOLE	KONSOLE
—	22120154/ 0	1	ROSSO	RED	ROUGE	ROTE
—	22120152/ 0	1	GIALLO	YELLOW	JAUNE	GELBE
—	22120158/ 0	1	NERO	BLACK	NOIRE	SCHWARZE
30	81003291/ 2	1	LEVA FRENO MOTORE	BRAKE LEVER	LEVIER FREIN MOTEUR	MOTORBREMSEHEBEL
31	81003291/ 2	1	IMPUGNATURA MANICO	HANDGRIP	POIGNÉE	HANDGRIFF
—	22291050/ 0	1	NERA	BLACK	NOIRE	SCHWARZER
—	22291051/ 0	1	ROSSA	RED	ROUGE	RÖTER
—	22291052/ 0	1	GIALLA	YELLOW	JAUNE	GELBER
32	81007280/ 2	1	ASS. LEVA + MANOPOLINA	LEVER + KNOB ASS. Y	ENS. LEVIER + POIGNÉE	HEBEL + GRIFF SATZ
33	81007280/ 2	1	ETICHETTA	LABEL	ETIQUETTE	ETIKETTE
—	14356743/ 0	1	(TECUMSEH-HONDA)	(TECUMSEH-HONDA)	(TECUMSEH-HONDA)	(TECUMSEH-HONDA)
—	14356744/ 0	1	(B&S)	(B&S)	(B&S)	(B&S)
34	22041966/ 0	1	BOCCOLA	BUSH	DOUILLE	BUCHSE
35	12154510/ 0	1	DADO	NUT	ECROU	MUTTER
36	12728460/ 0	1	VITE	SCREW	VIS	SCHRAUBE
37	81003288/ 1	1	LEVA TRAZIONE	DRIVING LEVER	LEVIER TRACTION	ANTRIEBHEBEL
38	22041965/ 0	2	BOCCOLA	BUSH	DOUILLE	BUCHSE
39	22545152/ 0	2	PIASTRINA	PLAQUE	PLAQUETTE	PLATTE
40	12731350/ 0	4	VITE	SCREW	VIS	SCHRAUBE
41	81007280/ 2	1	CARTER	BELT PROTECTION	PROTECTION COURROIRE	RIEMENSCHUTZ
—	22060192/ 0	1	(TD 484 TR-E)	(TD 484 TR-E)	(TD 484 TR-E)	(TD 484 TR-E)
—	22060193/ 0	1	(TD 534 TR-E)	(TD 534 TR-E)	(TD 534 TR-E)	(TD 534 TR-E)
42	12727791/ 0	1	VITE	SCREW	VIS	SCHRAUBE
43	12000930/ 0	1	ANELLO ELASTICO	SNAP RING	ANNEAU RESSORT	SPRENGRING
—	81008614/ 1	1	DOTAZIONE VITERIA	SCREWS OUTFIT	DOTATION VISSERIE	SCHRAUBEN SATZ
—	81008609/ 0	0	DOTAZIONE CRUSCOTTO	DASH-BOARD OUTFIT	DOTATION CONSOLE	KONSOLE SATZ

VARIANTE REGOLAZIONE MANICO**HANDLE ADJUSTMENT VARIANT****VARIANTE REGLAGE POIGNEE****GRIFFEINSTELLVARIANTE**

T-3615/B

51	81006510/ 0	1	PARTE INFR. MANICO	LOWER HANDLE	PARTIE INF. MANCHERON	UNTERHOLM
52	22785081/ 0	2	SUPPORTO ESTERNO	EXTERNAL SUPPORT	SUPPORT EXTERNE	AUßERE HALTERUNG
53	22785082/ 0	1	SUPPORTO INTERNO DX	R. INTERNAL SUPPORT	SUPPORT INTERNE DROIT	INNERE HALTERUNG RECHTS
54	22785083/ 1	1	SUPPORTO INTERNO SX	L. INTERNAL SUPPORT	SUPPORT INTERNE GAUCHE	INNERE HALTERUNG LINKS
56	22551575/ 0	2	PIASTRINA INTERNA	INSIDE PLAQUE	PLAQUETTE INTERNE	INNERE PLATTE
57	12793701/ 0	2	VITE	SCREW	VIS	SCHRAUBE
58	12155000/ 0	2	DADO	NUT	ECROU	MUTTER
59	12521350/ 0	2	RONDELLA	WASHER	RONDELLE	SCHIBE
60	12691810/ 0	2	VITE	SCREW	VIS	SCHRAUBE
61	22399803/ 0	2	MANOPOLINA	KNOB	POIGNÉE	GRIFF
62	12293202/ 0	2	DADO	NUT	ECROU	MUTTER
—	81008623/ 0	1	DOTAZ. VITERIA	SCREWS OUTFIT	DOTATION VISSERIE	SCHRAUBEN SATZ

VARIANTI PER AVVIAMENTO ELETTRICO**PARTS FOR ELECTRIC START****COMPOSANTS POUR DÉMARRAGE ÉLECTRIQUE****ELEKTROSTART BESTANDTEILE**

T-3615/C

101	22517855/ 0	2	PERNO	PIN	PIVOT	BOLZEN
102	12523000/ 0	2	RONDELLA	WASHER	RONDELLE	SCHIBE
103	12540020/ 0	2	RONDELLA	WASHER	RONDELLE	SCHIBE
104	18120050/ 0	1	BATTERIA	BATTERY	BATTERIE	BATTERIE
105	18204110/ 0	1	CARICA BATTERIA	BATTERY CHARGER	CHARGEUR DE BATTERIE	LADGERÄT
106	18450050/ 0	1	INTERRUTTORE	SWTCH	INTERRUPTEUR	SCHALTER
107	18204190/ 2	1	CAVO AVVIAMENTO	START CABLE	CABLE DÉMARRAGE	STARTKABEL

T-3615/D

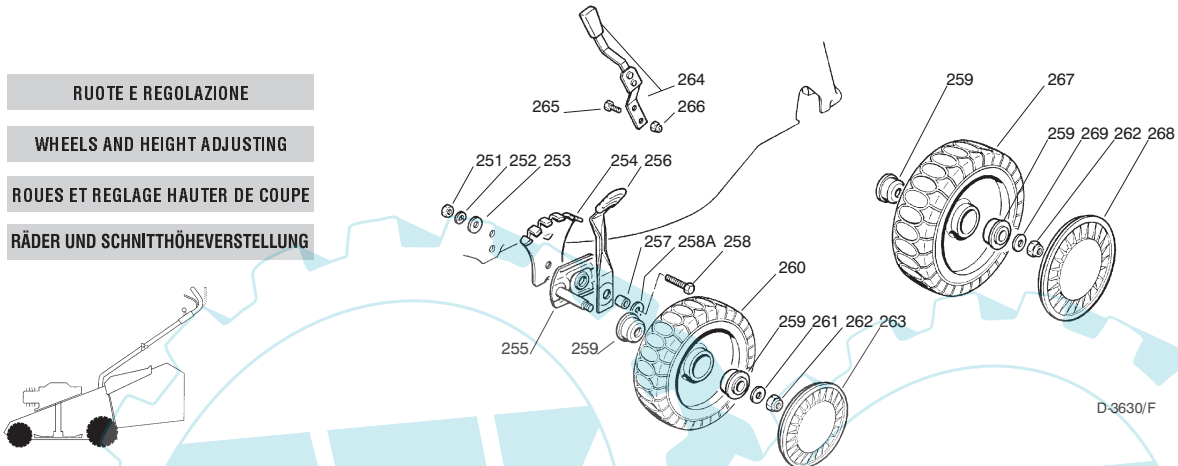
VARIANTE ACCELERATORE**THROTTLE VARIANTS****VARIANTES COMMANDE D'ACCELERATION****ÄNDERUNGEN AUF GASHEBEL**

151	12291000/ 0	1	DADO	NUT	ECROU	MUTTER
-----	-------------	---	------	-----	-------	--------

Pos. Nr.	Codice Code Kodex	Q.tà Q.ty-Q.tè Menge	Descrizione	Description	Description	Beschreibung
152	12581500/0	1	GROWER	GROWER	GROWER	FEDERRING
153	22171005/0	1	DISTANZIALE	SPACER	ENTRETOISE	DISTANZRING
154	12521360/0	1	RONDELLA	WASHER	RONDELLE	SCHIBE
155	12508100/0	1	RONDELLA ELASTICA	SPRING WASHER	RONDELLE ELASTIQUE	ELASTISCHE SCHEIBE
156	81007279/1	1	ASS. LEVA+MANOPOLINA	LEVER+KNOB ASS.Y	ENS. LEVIER+POIGNEE	HEBEL+GRIFF SATZ
157	81007080/0	1	ASSIEME ACCELERATORE	TROTTLER UNIT ASS.Y	ENS. ACCELERATEUR	BESCHLEUNIGER SATZ
158	12815000/0	1	VITE	SCREW	VIS	SCHRAUBE
159	14356702/0	1	ETICHETTA (TECUMSEH-HONDA)	LABEL (TECUMSEH-HONDA)	ETIQUETTE (TECUMSEH-HONDA)	ETIKETTE (TECUMSEH-HONDA)
—	14356703/0	1	(B&S)	(B&S)	(B&S)	(B&S)
			VARIANTE REGIME FISSO	FIXED SPEED VARIANTS	VARIANTES POUR MODELE À REGIME FIXE	ÄNDERUNGEN FÜR MODELLE MIT FIXIERTER DREHZAHL
201	22601000/0		PROTEZIONE	PROTECTION	PROTECTION	SCHUTZ

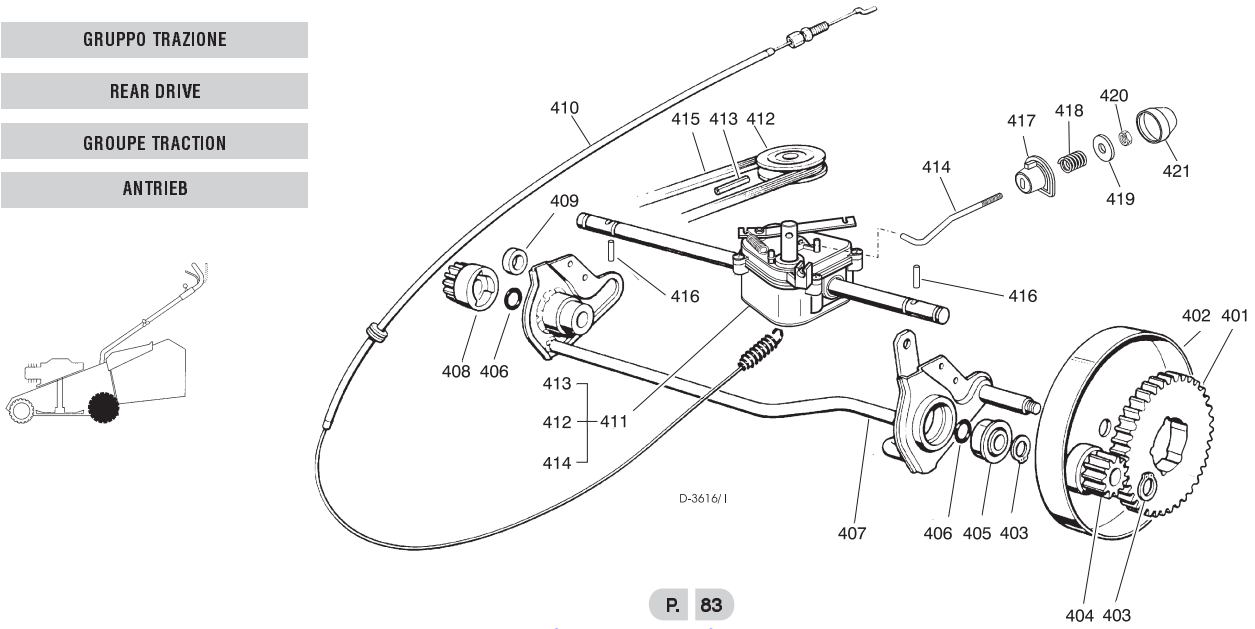
T-3615/E

RUOTE E REGOLAZIONE
WHEELS AND HEIGHT ADJUSTING
ROUES ET REGLAGE HAUTER DE COUPE
RÄDER UND SCHNITTHÖHEVERSTELLUNG



251	12293200/0	2	DADO	NUT	ECROU	MUTTER
252	12583500/0	2	GROWER	GROWER	GROWER	FEDERRING
253	12523070/0	2	RONDELLA	WASHER	RONDELLE	SCHIBE
254	22735547/0	2	SETTORE REGOLAZIONE	ADJUSTMENT SECTOR	SECTEUR REGLAGE	VERSTELLUNGSEKTOR
255	81005082/0	2	SUPPORTO RUOTA	WHEEL SUPPORT	SUPPORT ROUE	RADHALTER
256	81003285/0	2	LEVA REGOLAZIONE	ADJUSTMENT LEVER	LEVIER REGLAGE	VERSTELLUNGHEBEL
257	22171001/0	2	DISTANZIALE	SPACER	ENTRETOISE	DISTANZRING
258	12793701/0	2	VITE	SCREW	VIS	SCHRAUDE
258A	12521350/0	2	RONDELLA	WASHER	RONDELLE	SCHIBE
259	22122200/0	8	CUSCINETTO	BEARING	ROULEMENT	KUGELLAGER
260	81007317/0	2	RUOTA SCOLPITA Ø 170	KNOBBLY WHEEL Ø 170	ROUE SCULPTEE Ø 170	RAD M. STOLLENPR. Ø 170
261	12521350/0	2	RONDELLA	WASHER	RONDELLE	SCHIBE
262	12155000/0	4	DADO	NUT	ECROU	MUTTER
263	—	—	COPRIMOZZO	HUB CAP	COUVRE-MOYEU	RADKAPPE
—	22110282/0	2	BIANCO	WHITE	BLANC	WEIßE
—	22110288/0	2	GIALLO	YELLOW	JAUNE	GELBE
—	22110290/0	2	ROSSO	RED	ROUGE	ROTE
264	81003279/2	1	LEVA REGOLAZIONE	ADJUSTMENT LEVER	LEVIER REGLAGE	VERSTELLUNGHEBEL
266	12154330/0	2	DADO	NUT	ECROU	MUTTER
267	81007318/1	2	RUOTA SCOLPITA Ø 210	KNOBBLY WHEEL Ø 210	ROUE SCULPTEE Ø 210	RAD M. STOLLENPR. Ø 210
268	—	—	COPRIMOZZO	HUB CAP	COUVRE-MOYEU	RADKAPPE
—	22110281/0	2	BIANCO	WHITE	BLANC	WEIßE
—	22110287/0	2	GIALLO	YELLOW	JAUNE	GELBE
—	22110289/0	2	ROSSO	RED	ROUGE	ROTE
269	12369500/0	2	DISCO ELASTICO	ELASTIC DISK	RONDELLE ELASTIQUE	SCHIBE

GRUPPO TRAZIONE
REAR DRIVE
GROUPE TRACTION
ANTRIEB



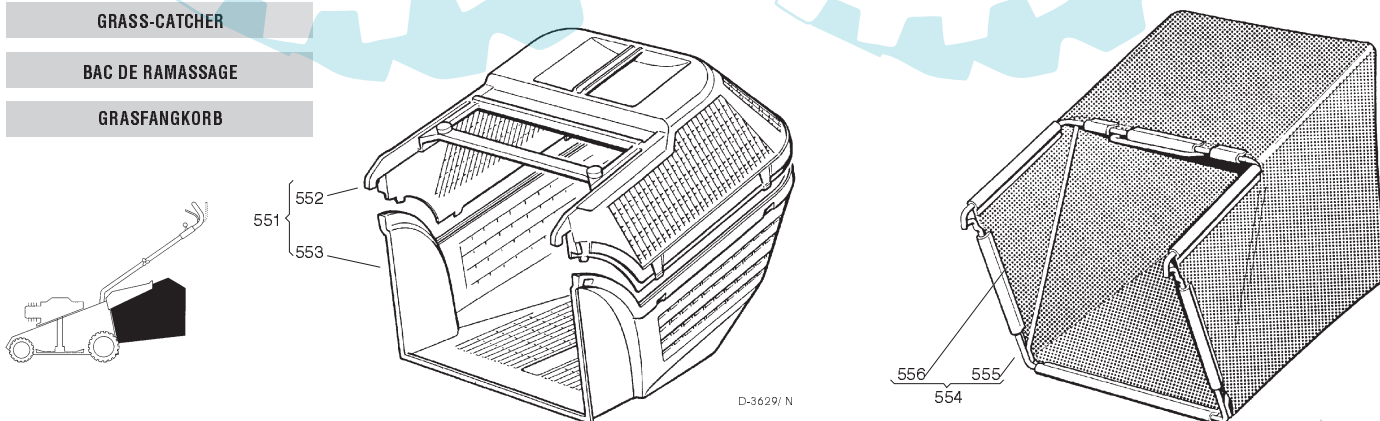
Pos. Nr.	Codice Code Kodex	Q.tà Q.ty-Q.tè Menge	Descrizione	Description	Description	Beschreibung	
T-3632/ I	401	22120105/ 1	2	CORONA	RING GEAR	COURONNE	KRANZ
402	81006846/ 0	2	PROTEZIONE RUOTE	WHEEL GUARD	PROTECTION ROUE	RÄDERSCHUTZ	
403	12608600/ 0	4	SEEGER	SEEGER	SEEGER	SEEGER	
404	22570120/ 0	1	PIGNONE SINISTRO	LEFT PINION	PIGNON GAUCHE	LINKES RITZEL	
405	22122200/ 0	2	CUSCINETTO	BEARING	COUSSINET	LAGER	
406	12019900/ 0	2	ANELLO OR	OR RING	BAGUE OR	RING OR	
407	81001252/ 1	1	ASSE RUOTE POSTERIORE	REAR WHEELS AXLE	AXE ROUES ARRIERE	HINTERRADACHSE	
408	22570110/ 0	1	PIGNONE DESTRO	RIGHT PINION	PIGNON DROITE	RECHTES RITZEL	
409	22170800/ 0	1	DISTANZIALE	SPACER	ENTRETOISE	DISTANZRING	
410	81001143/ 0	1	ASS. COMANDO TRAZIONE	REAR DRIVE ASS.Y	ENS. COMMANDE TRACTION	ANTRIEBKABEL	
411	81003059/ 0	1	ASS. GRUPPO TRAZIONE (PLASTICA)	GEAR BOX ASS.Y (PLASTIC)	ENS. GROUPE TRACTION (PLASTIQUE)	ANTRIEBSATZ (KUNSTSTOFF)	
—	81003060/ 0	1	(ALLUMINIO)	(ALUMINIUM)	(ALUMINIUM)	(ALUMINIUM)	
412	22601904/ 0	1	PULEGGIA 4 KM/ H	PULLEY 4 KM/ H	POULIE 4 KM/ H	RIEMENSCHLEIBE 4 KM/ H	
413	12645705/ 0	1	SPINA	PIN	GOUPILLE	STIFT	
414	22033280/ 0	1	ASTA REGOLAZIONE	ADJUSTMENT ROD	TIGE REGLAGE	VERSTELLUNGSTANGE	
415	35063800/ 0	1	CINGHIA Z 27 (TD 484 TR-E)	BELT Z 27 (TD 484 TR-E)	COURROIE Z 27 (TD 484 TR-E)	RIEMEN Z 27 (TD 484 TR-E)	
—	35063902/ 0	1	Z 29.5 (TD 584 TR-E)	Z 29.5 (TD 584 TR-E)	Z 29.5 (TD 584 TR-E)	Z 29.5 (TD 584 TR-E)	
416	22753000/ 0	2	SPINA	PIN	GOUPILLE	STIFT	
417	22041957/ 0	1	BUSSOLA	BUSH	DOUILLE	BUCHSE	
418	22450063/ 0	1	MOLLA	SPRING	RESSORT	FEDER	
419	22680009/ 0	1	RONDELLA	WASHER	RONDELLE	SCHEIBE	
420	12154510/ 0	1	DADO	NUT	ECROU	MUTTER	
421	22110230/ 0	1	TAPPO	CAP	BOUCHON	GUMMISTOPFEN	

GRUPPO COLTELLO
BLADE ASS.Y
GROUPE LAME
MESSERSATZ



T-3624/ M	501	22465607/ 0	1	MOZZO CON PULEGGIA COLTELLO	HUB WITH PULLEY BLADE	MOYEU AVEC POULIE LAME	NABE MIT SCHEIBE MESSER
—	81004346/ 2	1	STANDARD 46 cm	STANDARD 46 cm	STANDARD 46 cm	STANDARD 46 cm	
—	81004397/ 0	1	ALETTATO 46 cm	WINGED 46 cm	AILETTÉE 46 cm	FLÜGEL 46 cm	
—	81004381/ 0	1	STANDARD 51 cm	STANDARD 51 cm	STANDARD 51 cm	STANDARD 51 cm	
—	81004398/ 0	1	ALETTATO 51 cm	WINGED 51 cm	AILETTÉE 51 cm	FLÜGEL 51 cm	
503	22160400/ 0	1	RONDELLA ELASTICA	SPRING WASHER	RONDELLE ELASTIQUE	ELASTISCHE SCHEIBE	
504	12523080/ 0	1	RONDELLA	WASHER	RONDELLE	SCHEIBE	
505	12735698/ 0	1	VITE	SCREW	VIS	SCHRAUBE	
506	12139100/ 0	1	LINGUETTA	FEATHER	CLAVETTE	KEIL	

SACCO RACCOGLIERBA
GRASS-CATCHER
BAC DE RAMASSAGE
GRASFANGKORB



T-3629/ N	551	94004000/ 1	1	SACCO COMPLETO	COMPLETE GRASS-BOX	SAC COMPLET	KOMPLETTER KORB
552	22486073/ 0	1	PORTE SUP. SACCO	UPPER GRASS BOX	PARTIE SUP. SAC	OBERTKORB	
553	22486074/ 0	1	PORTE INF. SACCO	LOWER GRASS BOX	PARTIE INF. SAC	UNTERKORB	
554	94005000/ 0	1	ASS. SACCO IN TELA	CANVASS GRASSCATCHER ASS.Y	ENSEMBLE SAC EN TOILE	KOMPLETTER SACK	
555	81006418/ 0	1	TELAIO	CHASSIS	CHÂSSIS	RAHMEN	
556	81002105/ 2	1	TELA SACCO	FABRIC BOX	TOILE POUR SAC	TUCK FÜR SACK	